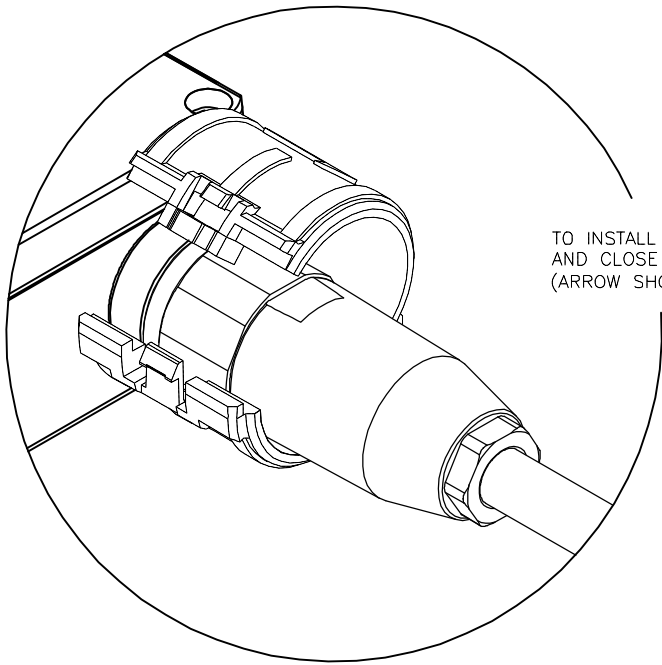


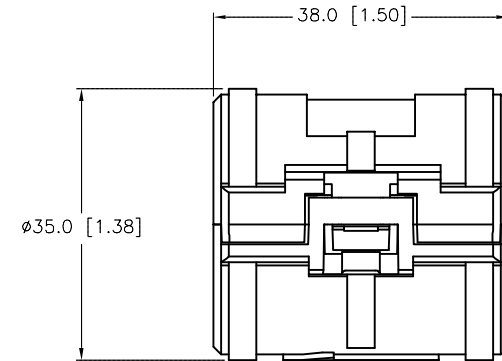
SPECIFICATIONS

HOUSING MATERIAL/COLOR

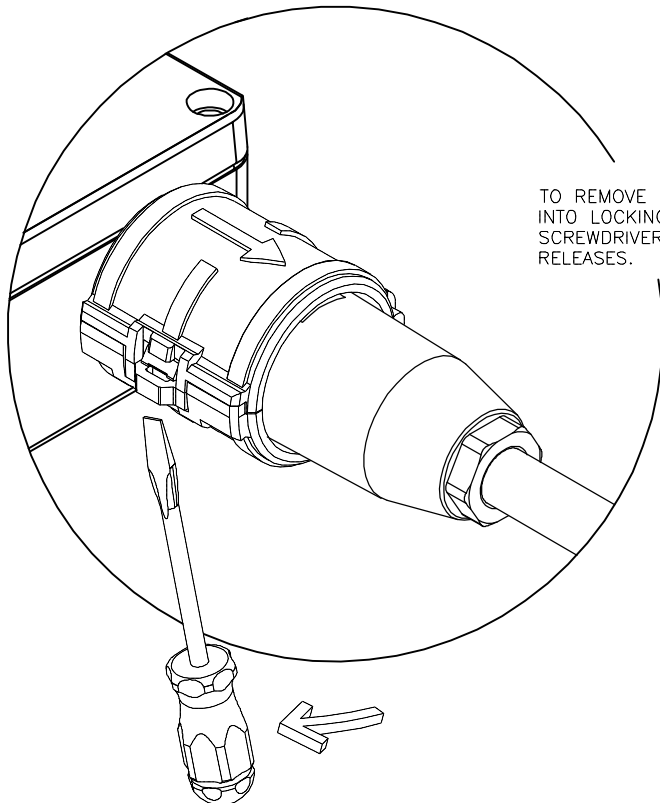
NYLON 66/BLACK



TO INSTALL LOCKOUT DEVICE, PLACE AROUND CORDSET END AND CLOSE UNTIL CONNECTOR SNAPS CLOSED. (ARROW SHOULD POINT TOWARDS THE CABLE)



LOCKOUT DEVICE FITS ALL A-SIZE, 6-PIN STRAIGHT TURCK MINIFAST FIELD WIREABLE CONNECTORS



TO REMOVE LOCKOUT DEVICE, INSERT SMALL SCREWDRIVER INTO LOCKING GROOVE AS SHOWN IN PICTURE. ROTATE SCREWDRIVER IN DIRECTION SHOWN UNTIL LOCKING DEVICE RELEASES.

SOURCE DRAWING - FOR REFERENCE ONLY

RELATED DOCUMENTS 1. 2. 3. 4.	3RD ANGLE PROJECTION 	THIS DRAWING IS CONFIDENTIAL AND THE PROPERTY OF TURCK INC. USE OF THIS DOCUMENT WITHOUT WRITTEN PERMISSION IS PROHIBITED.		3000 CAMPUS DRIVE MINNEAPOLIS, MN 55441 1-800-544-7769 (763) 553-7300 (763) 553-0708 fax www.turck.us	
	MATERIAL	DRFT KMY	DATE 04/25/14	DESCRIPTION LOCK-MINI-FW 6-PIN	
FINISH	ALL DIMENSIONS DISPLAYED ON THIS DRAWING ARE FOR REFERENCE ONLY	APVD J.S.	SCALE 1=1.0	IDENTIFICATION NO. A9845	REV B
	CONTACT TURCK FOR MORE INFORMATION	UNIT OF MEASUREMENT MILLIMETERS		FILE: A9845	SHEET 1 OF 1
DO NOT SCALE THIS DRAWING					

B	UPDATE NOTE UNDER SIDE VIEW	RDS	11/07/19	75399
REV	DESCRIPTION	BY	DATE	ECO NO.